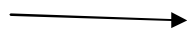




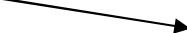
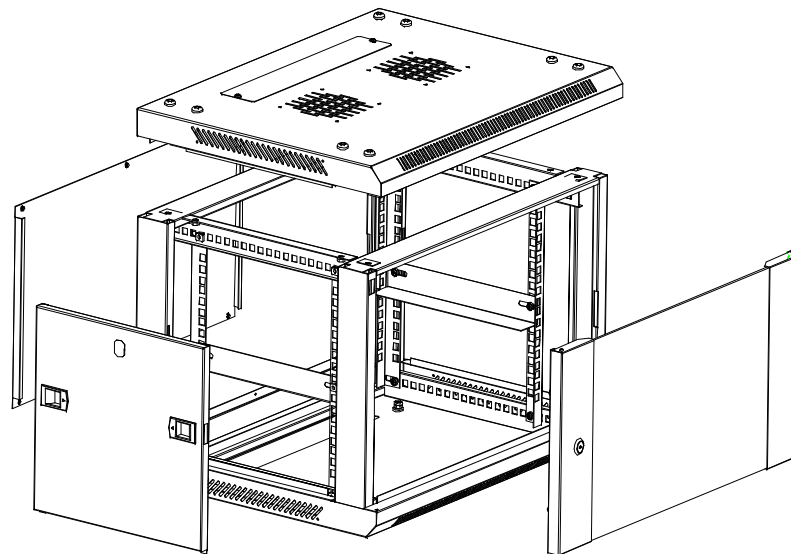
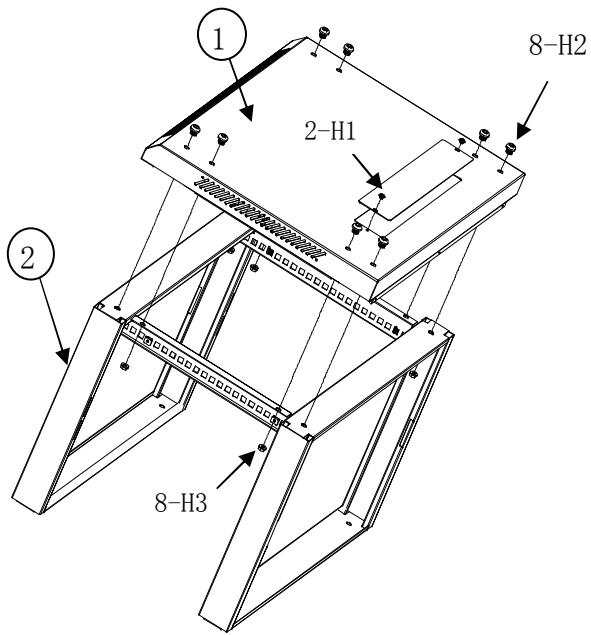
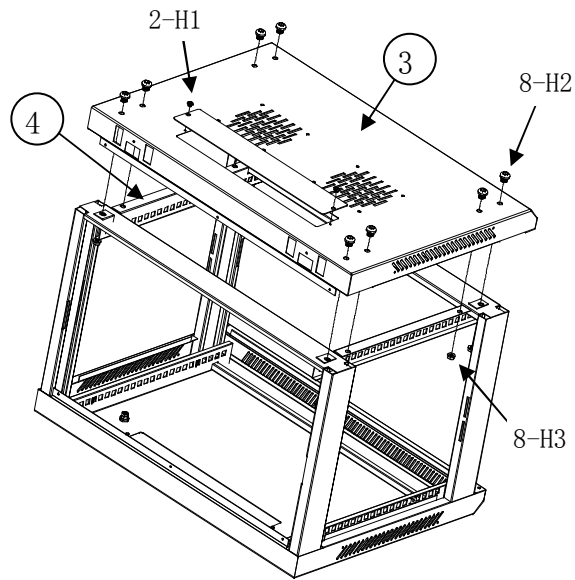


REV	QTY	DESCRIPTION	REV	QTY	DESCRIPTION
1	1	BOTTOM TRAY	H1	4	
2	2	FRAME	H2	16	
3	1	TOP			
4	4	HORIZONTAL SUPPORT			
5	4	VERTICAL SUPPORT	H3	16	
6	2	SIDE PANEL	H4	12	
7	1	BACK PANEL			
8	2	L-TYPE SHELF			
9	1	FRONT DOOR	H5	12	
			H6	6	

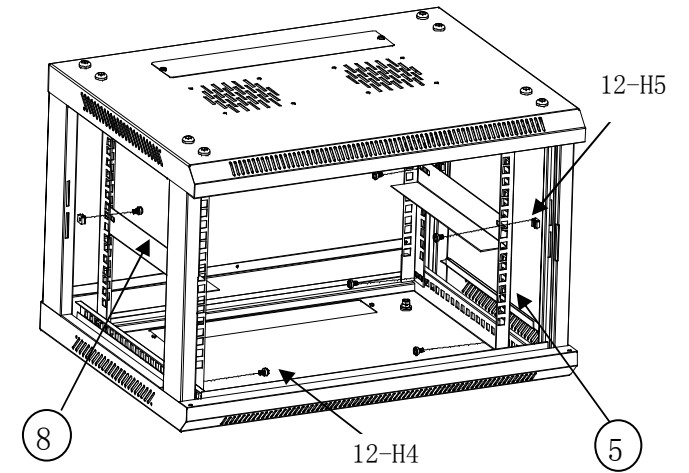




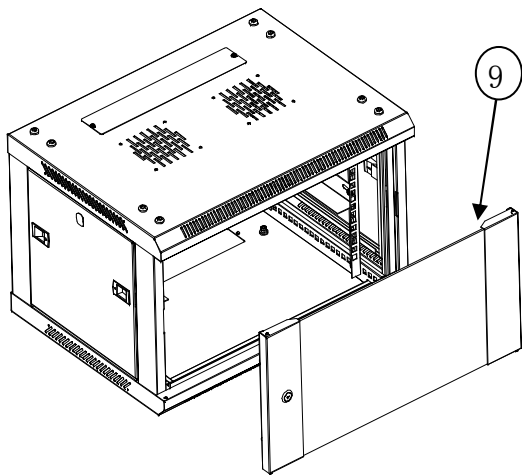
( Assembles 1 )



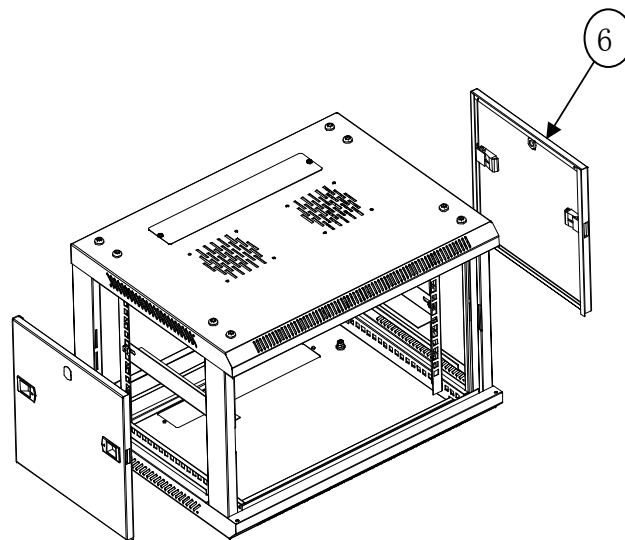
( Assembles 2 )



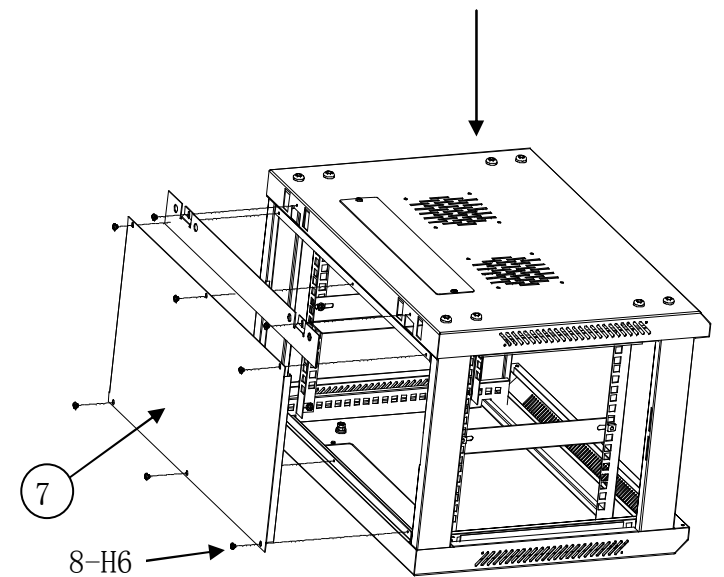
( Assembles 3 )



( Assembles 6 )



( Assembles 5 )



( Assembles 4 )