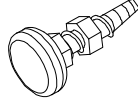
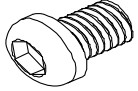
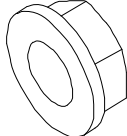
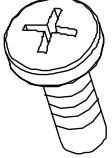
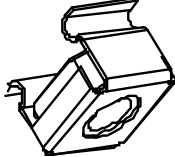
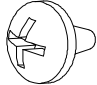
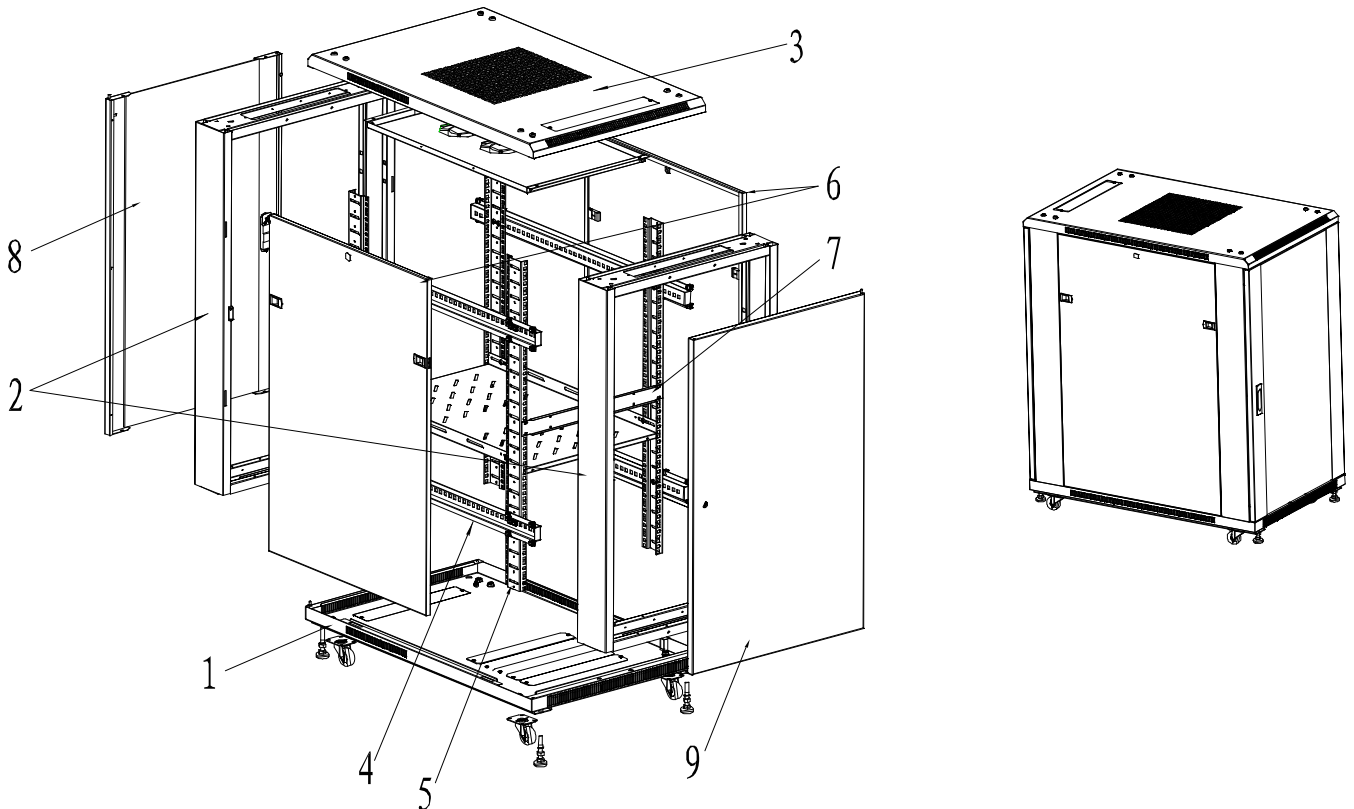
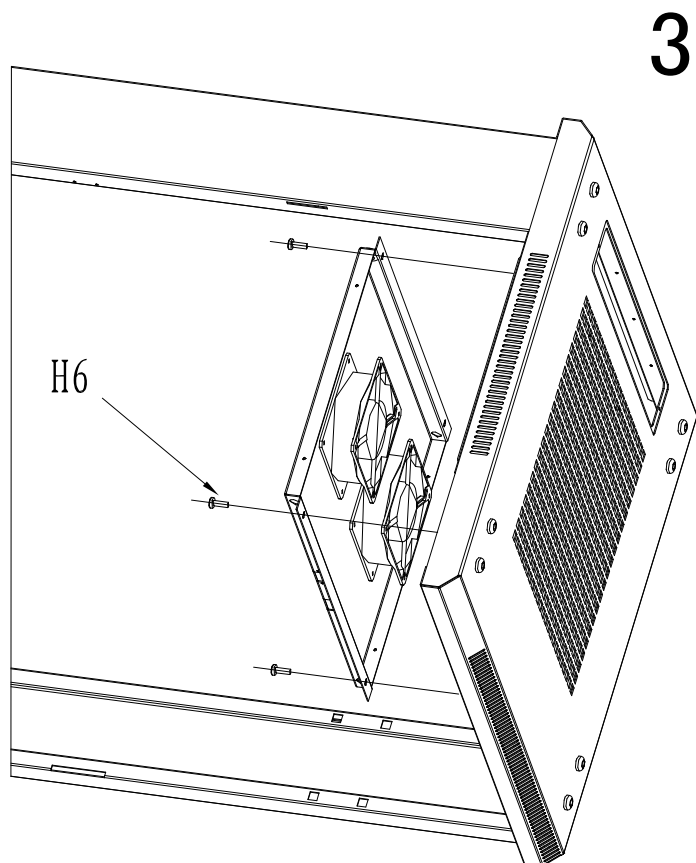
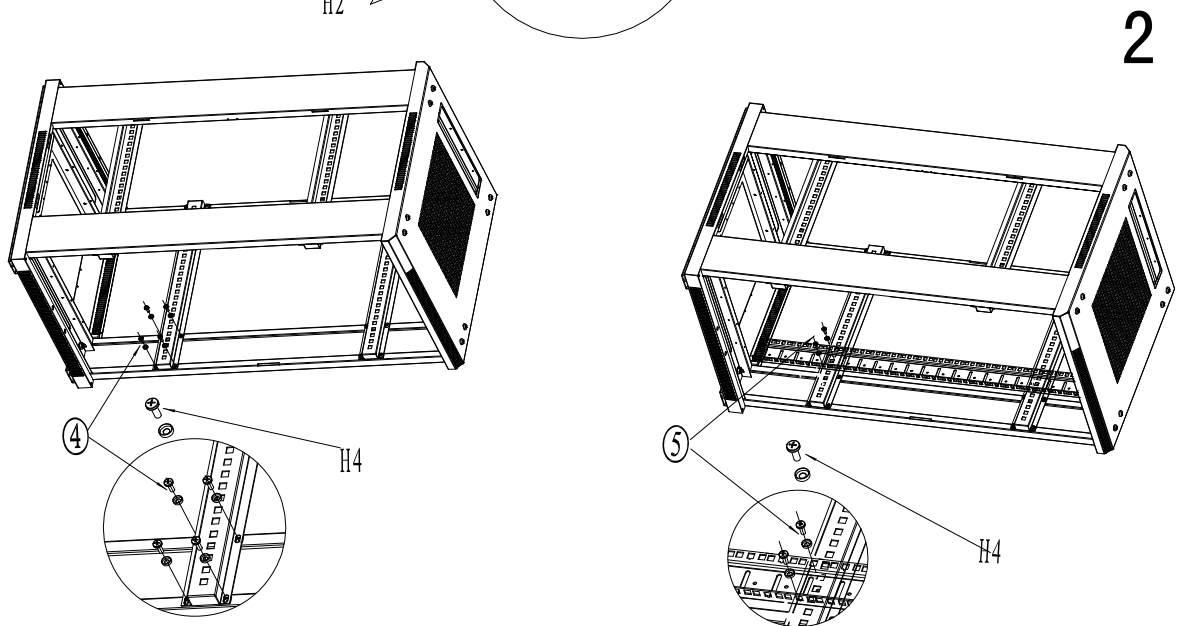
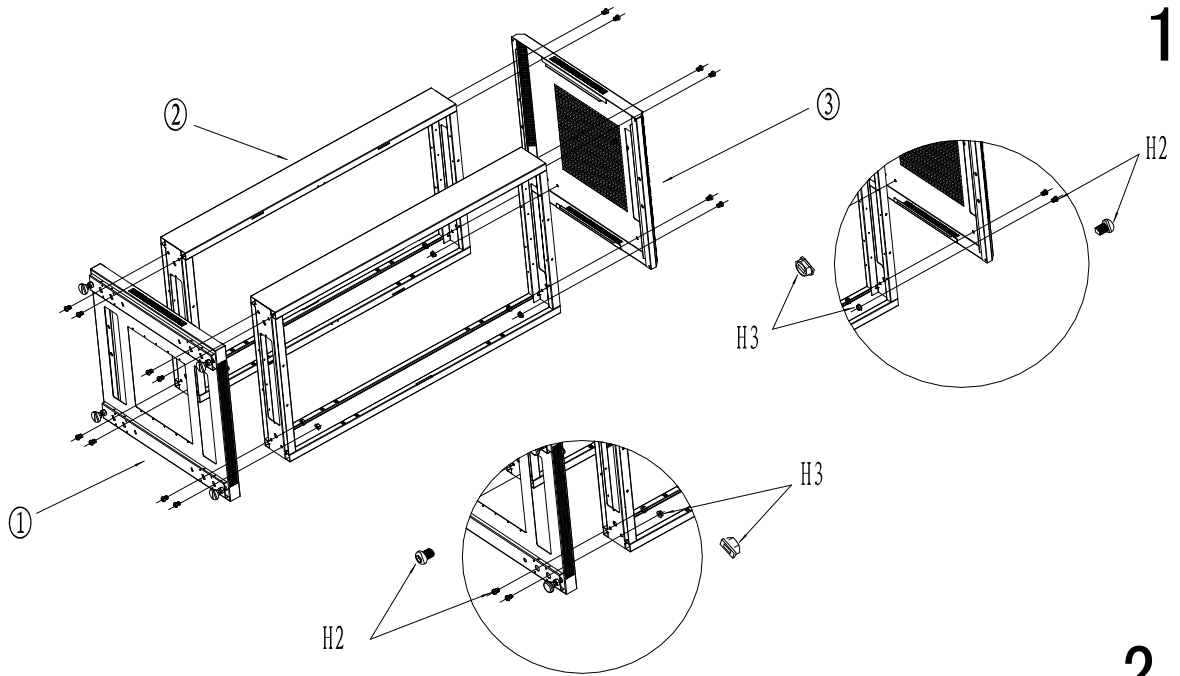
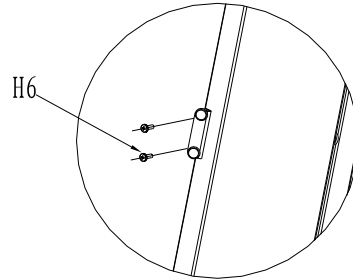
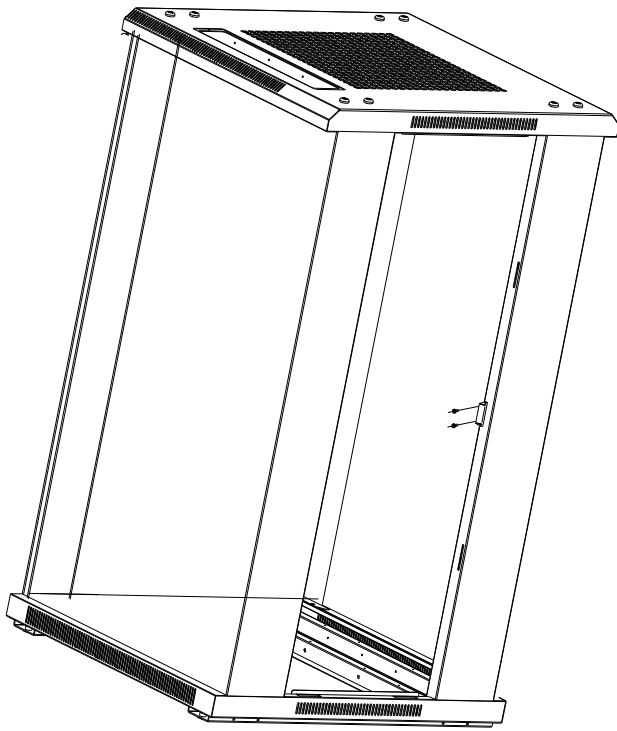


REV	QTY	DESCRIPTION	REV	QTY	DESCRIPTION
1	1	BOTTOM TRAY	H1	4	
2	2	FRAME			
3	1	TOP TRAY			
4	4	HORIZONTAL SUPPORT	H2	16	
5	4	VERTICAL SUPPORT			
6	2	SIDE PANEL			
7	1	POWER DISTRIBUTION UNITS	H3	16	
8	1	FRONT DOOR	H4	56	
9	1	REAR DOOR			
			H5	56	
			H6	28	

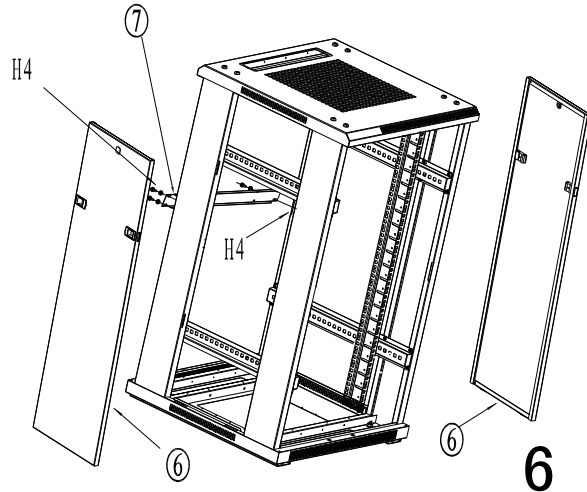
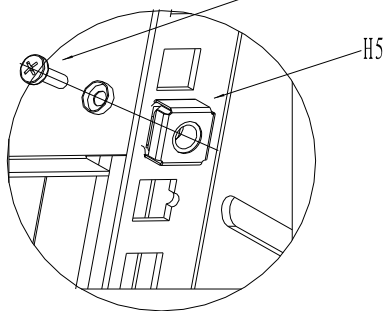
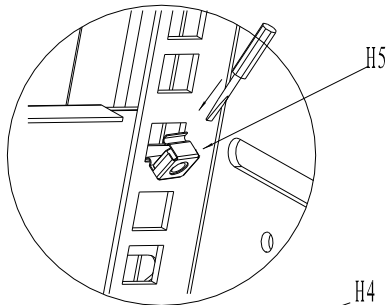




4



5



6

